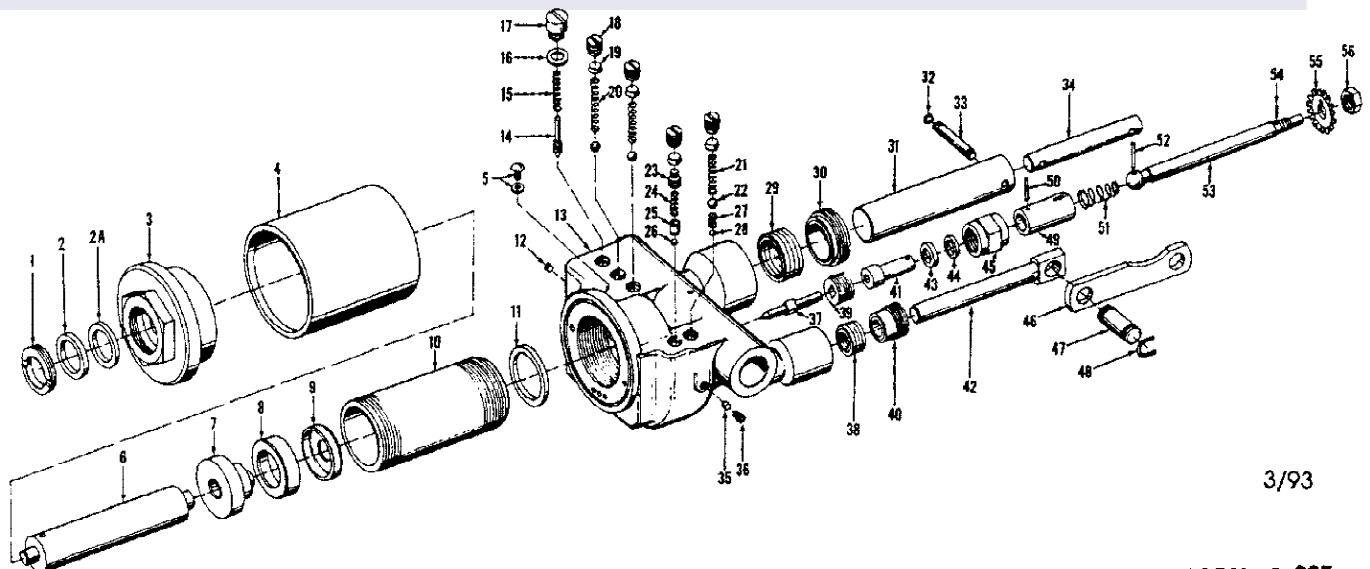


HEIN-WERNER AUTOMOTIVE

MODEL "GH-1" HYDRAULIC JACK REPAIR PARTS LIST UNIT ASSEMBLY

ITEM NO.	PART NO.	DESCRIPTION	ITEM NO.	PART NO.	DESCRIPTION
1	18335	Ram Packing Nut	27	2185	Spring
2	13375	Ram Packing	28	2675	Ball
2A	13390	Ram Packing	29	18015	"V" Packing
3	18285	End Nut	30	18110	Packing Nut
4	18355	Reservoir Tube	31	18020	Piston
5	4605	Filler Screw w/washer	32	12415	Pin Ring
	5205	Ram Assembly	33	9285	Pin
6	18347	Ram	34	18080	Piston Link
7	18360	Spacer	35	7345	Seal
8	14987	"U" Cup	36	3580	Plug
9	18340	Cup Retainer	37	25135	Release Valve
10	18350	Cylinder	38	18055	"V" Packing
11	9190	Seal	39	24865	Release Valve Stop
12	25940	1/8-27 Allen Pipe Plug	40	18125	Packing Nut for 11/16" Piston
13	18235	Unit Body	41	17950	Release Valve Stud
14	17890	Cut-Out Valve	42	18065	Piston 11/16" Diameter
15	18035	Spring	43	24795	Thrust Washer
16	17785	Washer	44	24540	Release Valve Packing
17	17960	Cut-Out Valve Plug	45	24715	Release Valve Box
	80345	HS Pump Valves	46	18005	Link - Set of 2
	80819	HP Pump Valves	47	17465	Pin - Set of 2
18	11855	Plug	48	16810	Clip
19	11520	Seal	49	18205	Collar w/170-2 Pin
20	15280	Spring	50	6665	5/32 Diameter x 1 1/8 Lg. Pin
21	11330	Spring	51	16020	Spring
22	3010	Ball	52	25965	3/16 Diameter x 1" Lg. Roll Pin
23	17520	Adjusting Screw	53	18330	Release Rod Extension
24	16906	Safety Valve Spring	54	17835	Pin
25	17055	Spring Cap	55	23675	Gear w/GA466 Pin
26	17220	Ball	56	26855	5/16-18 Reg. Hex Jam Nut



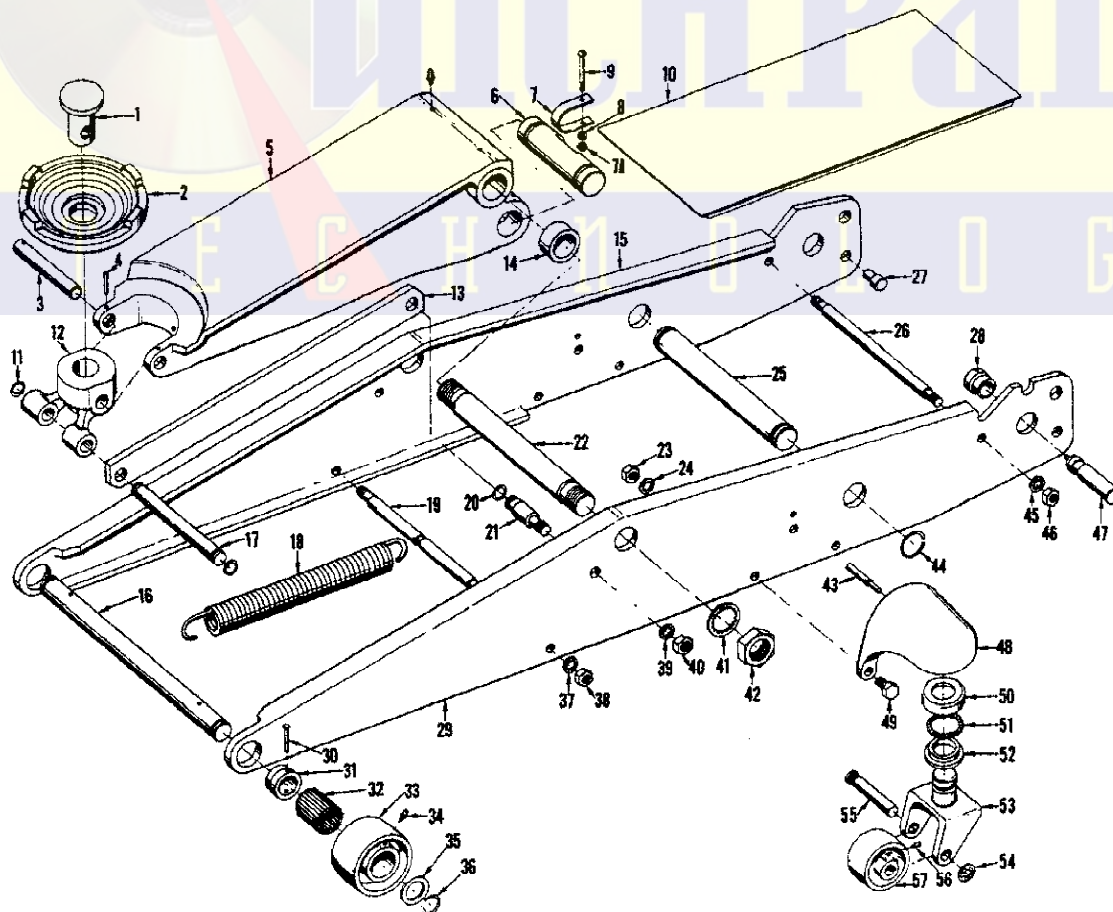
3/93

FORM 15-037

Order parts from the nearest Hein-Werner Official Service Station. Always state both model and serial number.
USE ONLY GENUINE HEIN-WERNER HYDRAULIC JACK OIL IN ANY HEIN-WERNER JACK

CHASSIS ASSEMBLY FOR MODEL "GH-1"

ITEM NO.	PART NO.	DESCRIPTION	ITEM NO.	PART NO.	DESCRIPTION
1	18255	Saddle Pin	30	20955	Rivets
2	8530	Saddle	31	61166	Front Axle Bushing
3	18275	Pin	32	17395	Rollers — Set of 24
4	25960	1/8 Diameter x 1 1/4 Lg. Roll Pin	33	16905	Front Wheels (2) w/rollers & washers
5	18305	Lift Arm w/4 grease fittings	34	9750	Drive Fitting
6	17955	Pin	35	17755	Washers
7	17886	Clip	36	17670	Retaining Rings
7A	25540	1/4-28 Hex Nut	37	2156	Shakeproof Lockwashers
8	25790	Washer	38	25335	1/2-13 Reg. Hex Jam Nuts
9	25516	1/4-28 Round Head Machine Screw	39	2180	Shakeproof Lockwasher
10	19640	Cover	40	26730	5/8-18 Reg. Hex Jam Nut
11	17680	Snap Rings	41	27066	Shakeproof Lockwashers
12	18365	Saddle Holder	42	26895	1 3/8-12 Reg. Hex Jam Nuts
13	18270	Parallel Link	43	17870	Retaining Pin
14	18310	Spacer	44	17670	Retaining Rings
15	61160	R. H. Side Bar	45	2156	Shakeproof Lockwashers
16	17215	Front Axle w/rivets & Snap Ring	46	25335	1/2-13 Reg. Hex Jam Nuts
17	18265	Pin	47	19630	Fork Pins
18	17940	Return Spring		5235	Caster Assembly
19	19560	Front Tie Rod	48	18135	Caster Bracket
20	17680	Snap Rings	49	61165	Hex Hd. Cap Screw
21	61162	Studs	50	17880	Outer Race
22	61164	Main Pin	51	2630	Ball for Caster (Set of 22)
23	25335	1/2-13 Reg. Hex Jam Nuts	52	17875	Inner Race
24	2156	Shakeproof Lockwashers	53	18075	Caster Fork
25	61163	Unit Shaft	54	25447	Push Nut
26	19560	Rear Tie Rod	55	18225	Caster Axle
27	19565	Handle Stop	56	9750	Drive Fitting
28	19610	Handle Bushing	57	17980	Caster Wheel
29	61161	L. H. Side Bar	58	55313	Safety Decal (Not Shown)

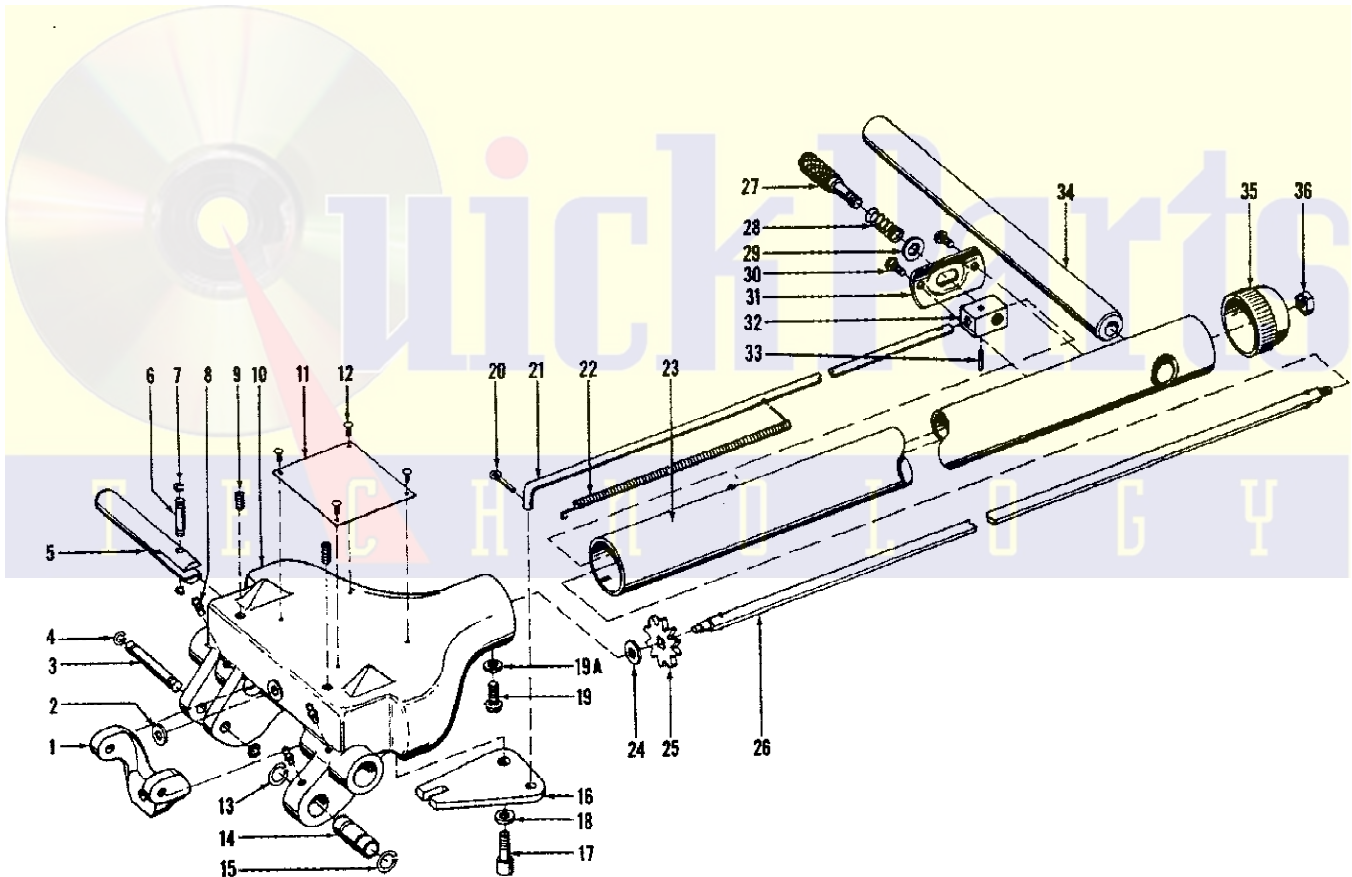


Order parts from the nearest Hein-Werner Official Service Station. Always state both model and serial number.

USE ONLY GENUINE HEIN-WERNER HYDRAULIC JACK OIL IN ANY HEIN-WERNER JACK

HANDLE ASSEMBLY FOR MODEL "GH-1"

ITEM NO.	PART NO.	DESCRIPTION	ITEM NO.	PART NO.	DESCRIPTION
	5243	Handle Assembly Complete	19	26524	$\frac{5}{16}$ -18 x $\frac{1}{2}$ Rd. Hd. Screw
1	17985	Release Rod Hanger	19A	26632	$\frac{5}{16}$ SAE Lockwasher
2	23715	$\frac{1}{32}$ x $\frac{1}{2}$ x $\frac{1}{16}$ Washer	20	25290	$\frac{1}{4}$ x $\frac{1}{2}$ Cotter Pin
3	9285	Pin w/2-389B Pin Rings	21	18170	Quadrant Rod
4	12415	Pin Ring	22	17810	Control Spring
5	18090	Quadrant Lock	23	5220	Handle Pipe w/Grip
6	1745	Pin w/389 Rings	24	23865	Washer
7	12165	Pin Ring	25	23625	Release Gear
8	9750	Drive Fitting	26	18210	Release Rod
9	26470	$\frac{5}{16}$ -18 x $\frac{3}{8}$ Socket Hd. SS	27	17715	Control Knob
10	18140	Handle Fork	28	17765	Spring
11	61171	Name Plate	29	23865	Washer
12	14945	No. 6 x $\frac{1}{4}$ Type U Drive Screw	30	60153	#10 x $\frac{1}{4}$ Sheet Metal Screw
13	16810	Clip	31	17430	Latch Plate
14	17465	Pump Link Pin w/clip (Set of 2)	32	17690	Catch Block
15	16810	Clip	33	17735	Rivet
16	17450	Quadrant Lever	34	17850	Grip
17	18185	Screw	35	17920	Release Knob
18	2095	$\frac{3}{8}$ -1220 Shakeproof Washer	36	25480	$\frac{1}{4}$ -28 Hex Jam Nut



Order parts from the nearest Hein-Werner Official Service Station. Always state both model and serial number.

USE ONLY GENUINE HEIN-WERNER HYDRAULIC JACK OIL IN ANY HEIN-WERNER JACK