

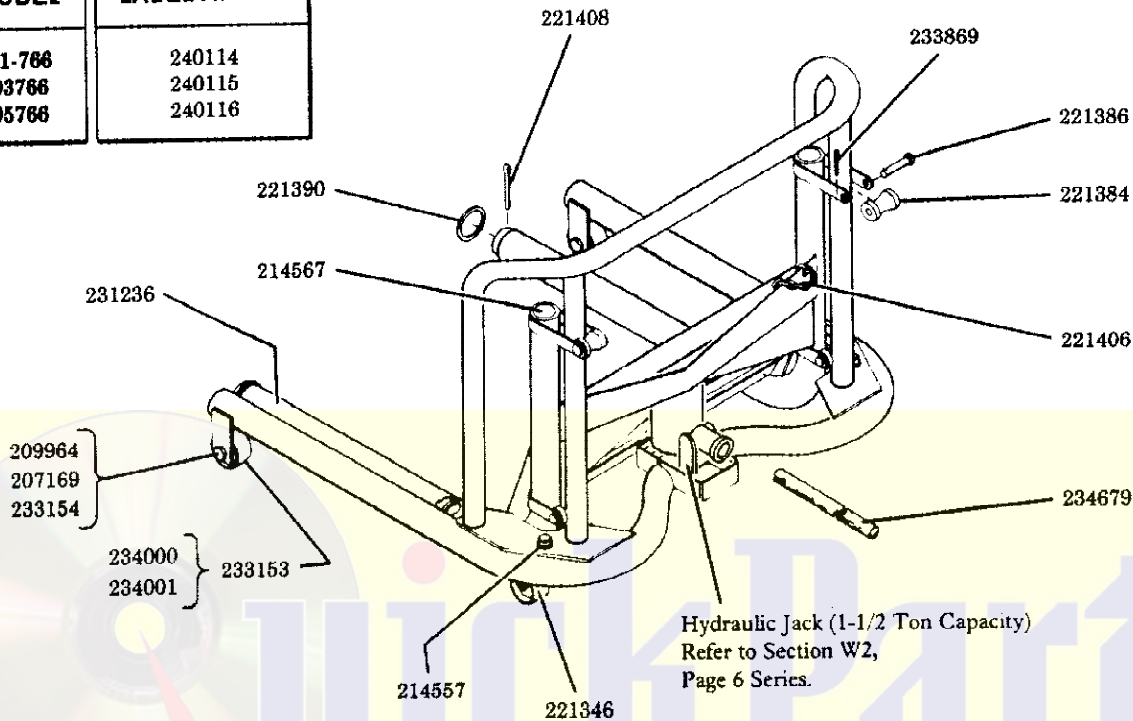
# HYDRAULIC WHEEL DOLLY

Model 91-766  
93766, 95766

1-1/4 TON CAPACITY

Series " B "

MODEL	LABEL KIT NO.
91-766	240114
93766	240115
95766	240116



## SPECIFICATIONS

Max. Wheel Dia.	Lift Range	Length of Lifting Arms	Spread of Lifting Arms	Overall Length	Overall Height	Overall Width	Caster Wheel Dia.
52"	0" - 7-7/8"	23"	24"	33-5/8"	31"	35"	3"

## SERVICE PARTS

PART	QUAN.	DESCRIPTION	PART	QUAN.	DESCRIPTION
207169	2	Nut	221408	2	Cotter pin
209964	2	Lockwasher	231236	2	Roller & bearing
214557	2	Retaining ring	233153	2	Wheel & bushing ass'y.
214567	2	Button plug	233154	2	Bolt
221346	2	Caster	233869	4	Cotter pin
221384	4	Roller	234000	2	Wheel
221386	4	Pin	234001	2	Bushing
221390	4	Washer	234679	1	Handle
221406	1	Chain	922599	1	Hydraulic jack

**LINCOLN**

A PENTAIR COMPANY

One Lincoln Way  
St. Louis, Missouri 63120-1578  
Customer Service. (314) 679-4300

SECTION - **W6**

PAGE - **2C**