

# HIGH-LIFT HYDRAULIC JACK

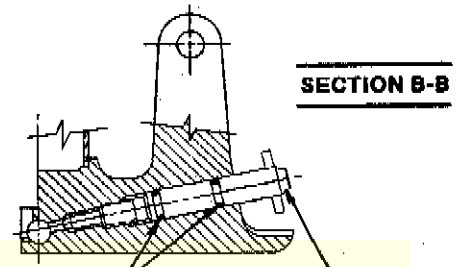
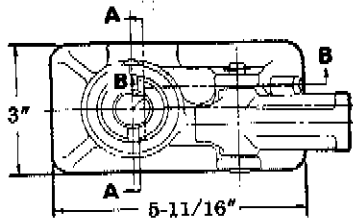
1-1/2 TON CAPACITY

# Models 91-238, 93238, 95238 91-239, 93239, 95239

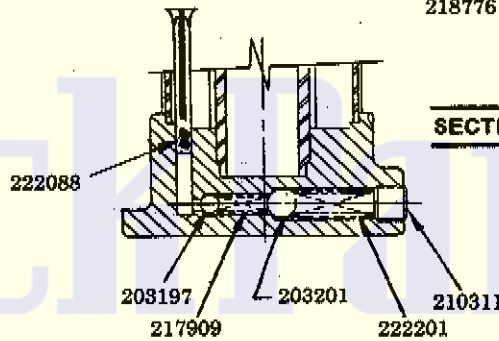
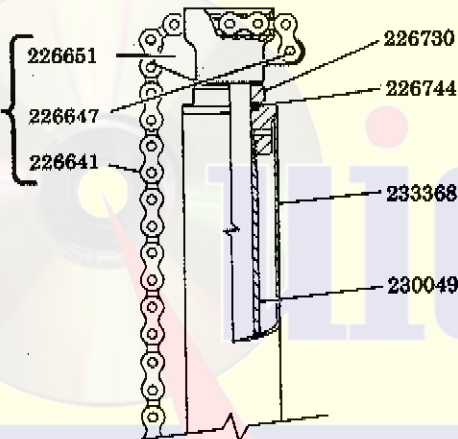
## Series "C"

MODEL	HEIGHT (Closed)	MAXIMUM HEIGHT	POWER RAISE
91-238 93238 95238	22-1/2"	39-3/4"	17-1/4"
91-239 93239 95239	21-1/2"	38-3/4"	17-1/4"

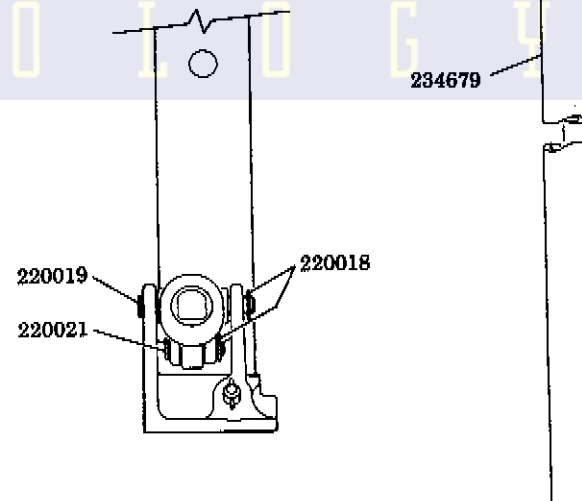
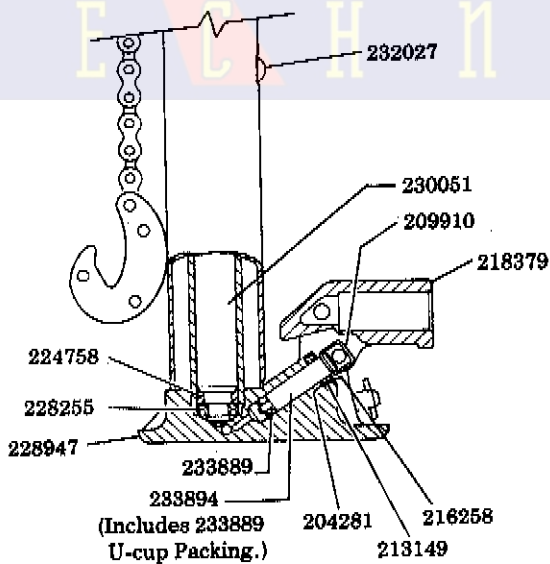
MODEL	LABEL KIT NO.	REPAIR KIT NO.
91-238 93238 95238	240023 240024 240025	91-410 240503 240503
91-239 93239 95239	240026 240027 240028	91-410 240503 240503



Included with Models 91-238, 93238 & 95238



218829  
(Includes two 218776 O-rings.)



# LINCOLN

A PENTAIR COMPANY

One Lincoln Way  
St. Louis, MO 63120-1578  
(314) 679-4200  
Customer Service, (314) 679-4300

SECTION - **W2**  
PAGE - **2C**

L-OCT-83

Printed in United States of America

FORM 10355C

## SERVICE PARTS

PART	QUAN.	DESCRIPTION	PART	QUAN.	DESCRIPTION
*208197	1	Ball	*224758	1	Heel plate
*203201	1	Ball	226641	1	Chain & hook ass'y.
*204281	1	Washer	226647	1	Fastener
209910	1	Pump clip	226651	1	Lifting head
*210311	1	Pipe plug	226730	1	Tank nut
*213149	1	Packing ring	*226744	1	Quad ring
*216258	1	Pump gland cover	*228255	1	U-cup packing
*217909	1	Spring	228947	1	Base
218379	1	Handle socket	230049	1	Cylinder
*218776	2	O-ring	230051	1	Ram
218829	1	Release stem & o-ring ass'y.	*232027	1	Filler plug
220018	2	Retaining ring	233368	1	Oil tank
220019	1	Fulcrum pin	*233889	1	U-cup packing
220021	1	Pump pin	233894	1	Pump assembly
*222088	1	Suction screen	234679	1	Handle
*222201	1	Spring			

\*Included in 240503 Repair Kit.

## TROUBLE SHOOTING

PROBLEM	SOLUTION
1) Will not lift full height. 2) Will not lower completely.	Reservoir could be overfilled — with jack upright; remove filler screw or filler plug, open release and <b>SLOWLY</b> push jack ram into lowered position. Any excess oil will run out fill hole. Replace filler screw or filler plug when oil has stopped flowing.
1) Will not lift load. 2) Will not lift full height. 3) Pump feels "Spongy" under load.	The Jack could be low on oil — with jack in upright position and ram fully lowered, remove filler screw or filler plug and fill reservoir with clean <b>HYDRAULIC JACK OIL</b> — correct oil level is reached when oil level is at bottom edge of fill hole.  The Jack could be air-bound — open the release valve one full turn and pump the handle vigorously. Close the release valve and pump to full height. Continue pumping several times at full height. Open release valve and push ram down into lowered position. Close release and operate normally.
1) Will not lift load. 2) Handle raises under load. 3) Handle lowers under load.	Valve might not be closing — make certain release valve is closed. Starting with ram in fully lowered position, <b>SLOWLY</b> raise ram out to full height. Open release valve and push ram down into lowered position. Jack should now operate properly.
1) Will not work in horizontal position.	Jack in wrong position for horizontal operation — valving plug on side of jack base must face upward.  The Jack could be low on oil — with jack in upright position and ram fully lowered, remove filler screw or filler plug and fill reservoir with clean <b>HYDRAULIC JACK OIL</b> — correct oil level is reached when oil level is at bottom edge of fill hole.

If the above procedures do not correct the problem, contact your nearest service depot. When submitting any jack or equipment to be repaired, be sure to state the nature of the problem and indicate whether an estimate of the repair cost is needed.

**IMPORTANT:** As with any hydraulic unit, this unit may occasionally become "air-bound" due to being tipped over during shipment. To purge the air from the lines, open the release and pump rapidly a few strokes. Close release and pump to full height, then open the release to allow the ram to descend rapidly. If the pump still seems "spongy", repeat the procedure.

### RETAIN THIS INFORMATION FOR FUTURE REFERENCE

When ordering replacement parts, list: Part Number, Description, Model Number, and Series Letter.

LINCOLN ST. LOUIS provides a Distributor Network that stocks equipment and replacement parts.  
 A list of Authorized Service Departments will be furnished upon request.