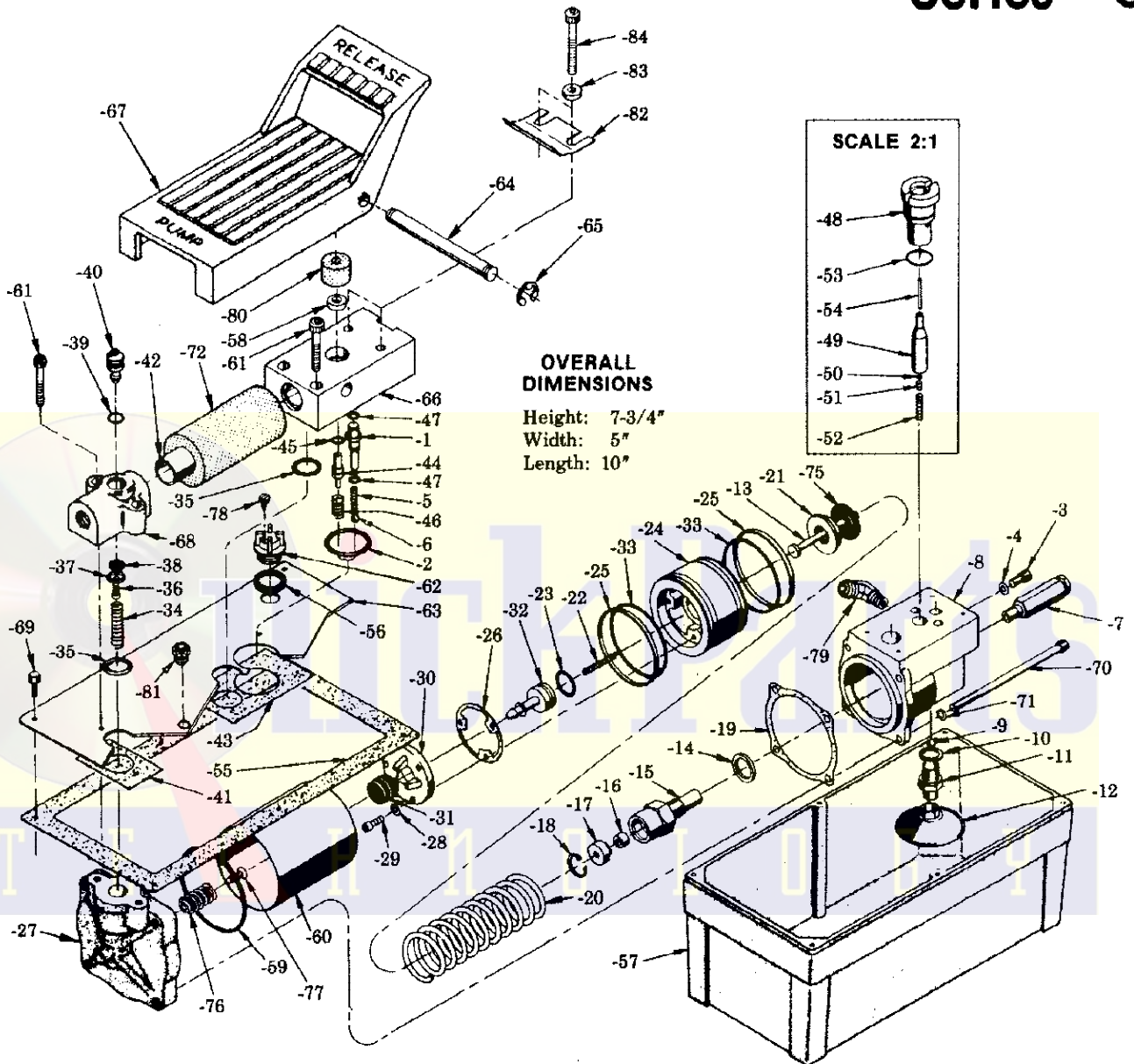


AIR OPERATED HYDRAULIC PUMP

10,000 PSI MAX. HYDRAULIC PRESSURE

Models 91-103
93103
95103

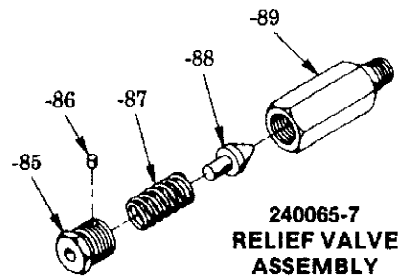
Series "C"



NOTE: When ordering parts, numbers shown by callouts should be preceded by the number 240065.

EXAMPLE: Part called out as -16 should be ordered by number 240065-16.

MODEL	LABEL KIT NO.	REPAIR KIT NO.
91-103	240067	91-318
93103	240068	240510
95103	240069	240510



LINCOLN
A PENTAIR COMPANY

One Lincoln Way
St. Louis, MO 63120-1578
Customer Service, (314) 679-4300

SECTION - **W7**
PAGE - **1B**

TROUBLE SHOOTING

PROBLEM	SOLUTION
1) Pump stalls under heavy load.	Air hose might be plugged — remove obstruction from air hose. Air pressure might be too low — 100 psi air pressure required to obtain 10,000 psi oil pressure. Pump may need lubrication — put 1/4 ounce of SAE 30 weight oil into the air inlet to lubricate the pump mechanism.
2) Ram will not extend full height.	Oil capacity of pump is not great enough for ram. Pump oil supply low — retract ram fully and remove the filler plug on top of the pump. Fill the reservoir with clean hydraulic jack oil and replace the plug.
3) Ram moves erratically.	System may be air bound -- set the pump in its normal position on a bench and place the ram on the floor, then fully extend and retract the ram two or three times.

If the above procedures do not correct the problem, contact your nearest service depot. When submitting any equipment to be repaired, be sure to state the nature of the problem and indicate whether an estimate of the repair cost is needed.

SERVICE PARTS

PART	QUAN.	DESCRIPTION	PART	QUAN.	DESCRIPTION	PART	QUAN.	DESCRIPTION
240065-1	1	Check valve body	240065-30	1	Piston end plate	*240065-59	1	Back-up ring
*240065-2	1	O-ring	*240065-31	1	Piston poppet	240065-60	1	Air cylinder
240065-3	1	Screw	240065-32	1	Exhaust valve stem	240065-61	4	Screw
*240065-4	1	Copper washer	*240065-33	2	O-ring	240065-62	1	Filler plug
*240065-5	1	Spring	*240065-34	1	Spring	240065-63	1	Cover plate
*240065-6	1	Steel ball	*240065-35	2	O-ring	240065-64	1	Pin
240065-7	1	Relief valve assembly	240065-36	1	Screw	240065-65	2	Retaining ring
240065-8	1	Pump body	240065-37	1	Seal guide	240065-66	1	Release valve body
*240065-9	1	Steel ball	*240065-38	1	Air valve poppet	240065-67	1	Foot pedal
*240065-10	1	Copper washer	*240065-39	1	O-ring	240065-68	1	Intake air valve body
240065-11	1	Short filter adapter	240065-40	1	Actuator button	240065-69	6	Screw
240065-12	1	Filter assembly	*240065-41	1	Gasket	240065-70	4	Screw
240065-13	1	Piston	240065-42	1	Muffler	240065-71	4	Lockwasher
*240065-14	1	Copper washer	*240065-43	1	Gasket	*240065-72	1	Foam tube
240065-15	1	Cylinder	240065-44	1	Release valve button	240065-75	1	Bumper
*240065-16	1	U-cup packing	*240065-45	1	O-ring	240065-76	1	Spring
240065-17	1	Retainer	*240065-46	1	Spring	240065-77	1	Screw
*240065-18	1	Retaining ring	*240065-47	2	O-ring	240065-78	1	Screw
*240065-19	1	Gasket	240065-48	1	Poppet retainer	240065-79	1	Elbow
240065-20	1	Spring	240065-49	1	Release valve poppet	*240065-80	1	Foam tube
240065-21	1	Spring guide	*240065-50	1	Steel ball	240065-81	1	Relief valve fitting
*240065-22	1	Spring	240065-51	1	Ball retainer	240065-82	1	Spring clip
*240065-23	1	O-ring	*240065-52	1	Spring	240065-83	2	Washer
240065-24	1	Piston body	*240065-53	1	O-ring	240065-84	2	Screw
*240065-25	2	Piston ring	*240065-54	1	Dowel pin	240065-85	1	Adjusting plug
*240065-26	1	Gasket	*240065-55	1	Reservoir gasket	240065-86	1	Insert
240065-27	1	Rear head	*240065-56	1	Rubber gasket	240065-87	1	Spring
240065-28	3	Lockwasher	240065-57	1	Reservoir	240065-88	1	Cone
240065-29	3	Screw	*240065-58	1	Shaft seal	240065-89	1	Valve body

*Included in 240510 Repair Kit.

RETAIN THIS INFORMATION FOR FUTURE REFERENCE

When ordering replacement parts, list: Part Number, Description, Model Number, and Series Letter.

LINCOLN ST. LOUIS provides a Distributor Network that stocks equipment and replacement parts.

A list of Authorized Service Departments will be furnished upon request.