

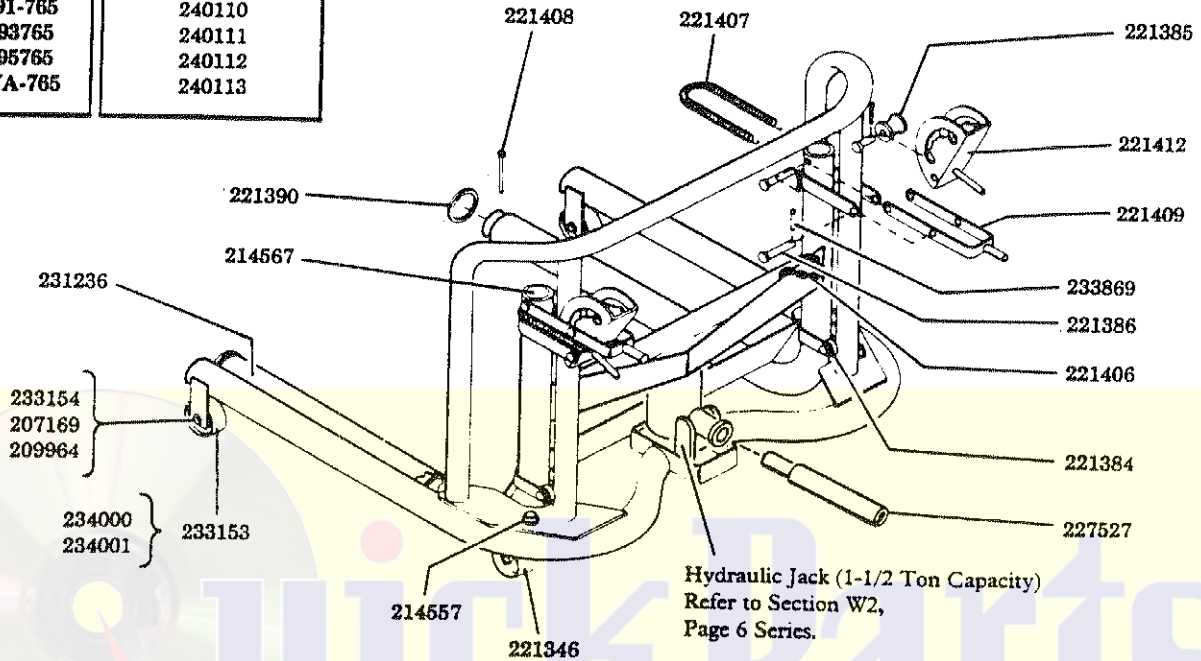
HYDRAULIC WHEEL DOLLY

3/4 TON CAPACITY

Model 91-765, 93765
95765, YA-765

Series " B "

MODEL	LABEL KIT NO.
91-765	240110
93765	240111
95765	240112
YA-765	240113



SPECIFICATIONS

Max. Wheel Dia.	Lift Range	Length of Lifting Arms	Spread of Lifting Arms	Overall Length	Overall Height	Overall Width	Caster Wheel Dia.
52"	0" - 7-7/8"	23"	24"	33-5/8"	31"	35"	3"

SERVICE PARTS

PART	QUAN.	DESCRIPTION	PART	QUAN.	DESCRIPTION
207169	2	Nut	221408	2	Cotter pin
209964	2	Washer	221409	2	Handle socket & bracket
214557	2	Retaining ring	221412	2	Adjusting dog & handle
214567	2	Button plug	227527	1	Handle
221346	2	Caster	231236	2	Roller & bearing
221384	2	Roller	233153	2	Wheel & bushing assembly
221385	2	Roller	233154	2	Bolt
221386	8	Pin	233869	8	Cotter pin
221390	4	Washer	234000	2	Wheel
221406	1	Chain	234001	2	Bushing
221407	2	Tension spring	922599	1	Hydraulic jack

LINCOLN ST. LOUIS
4010 GOODFELLOW BLVD • ST. LOUIS, MO. 63120 • (314) 679-4200



A DIVISION OF
McNEIL
CORPORATION

SECTION - **W6**
PAGE - **1C**